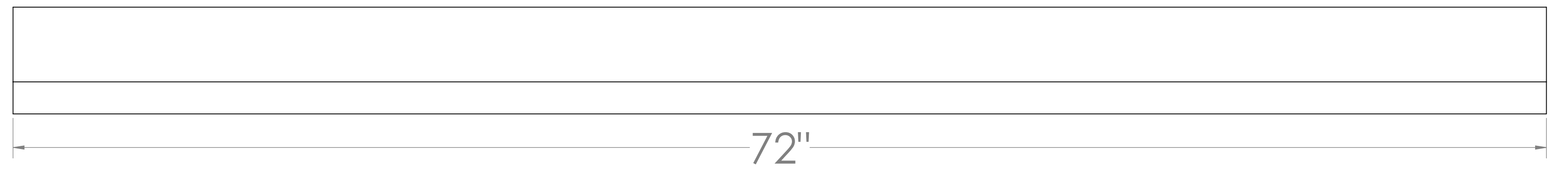
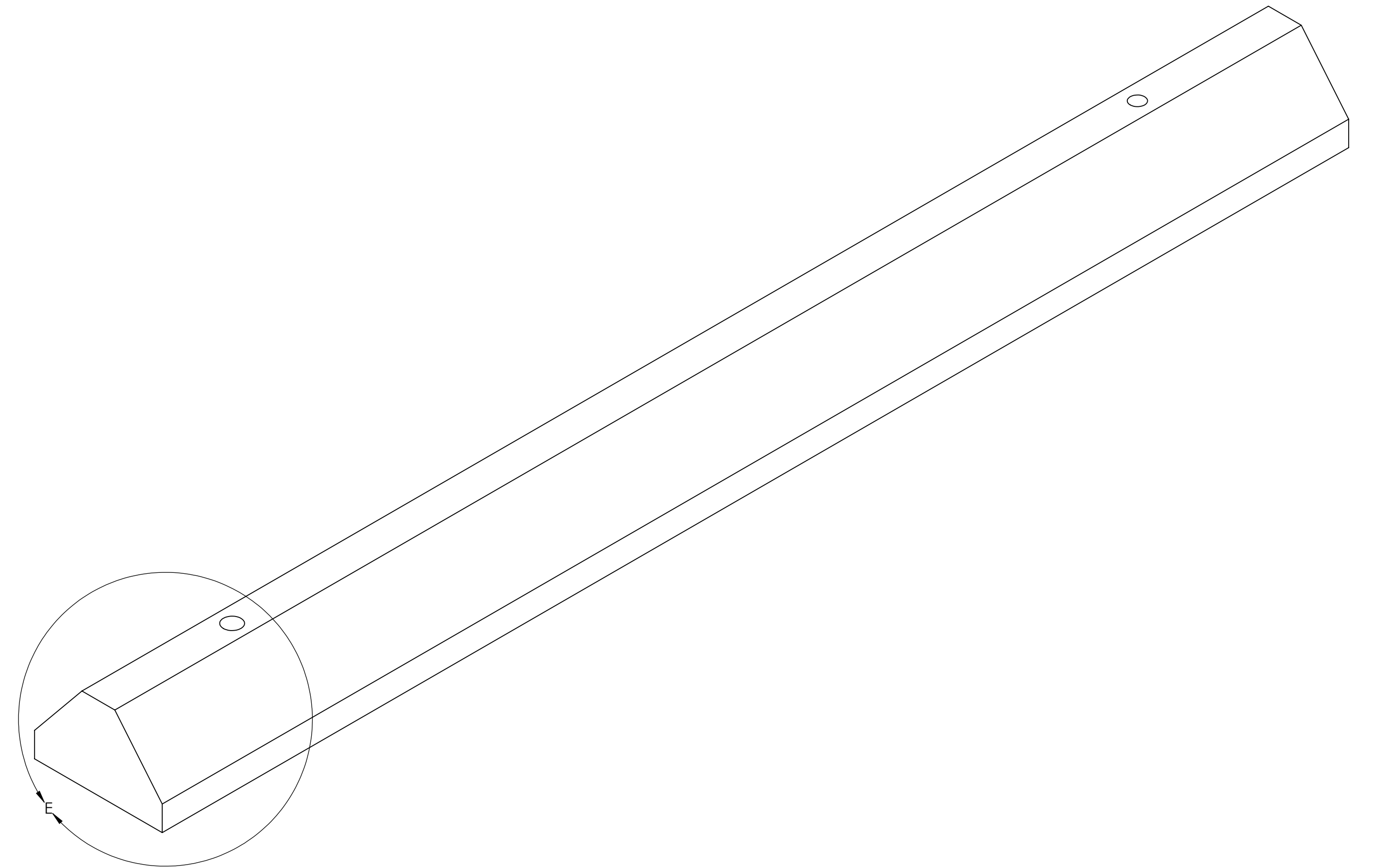
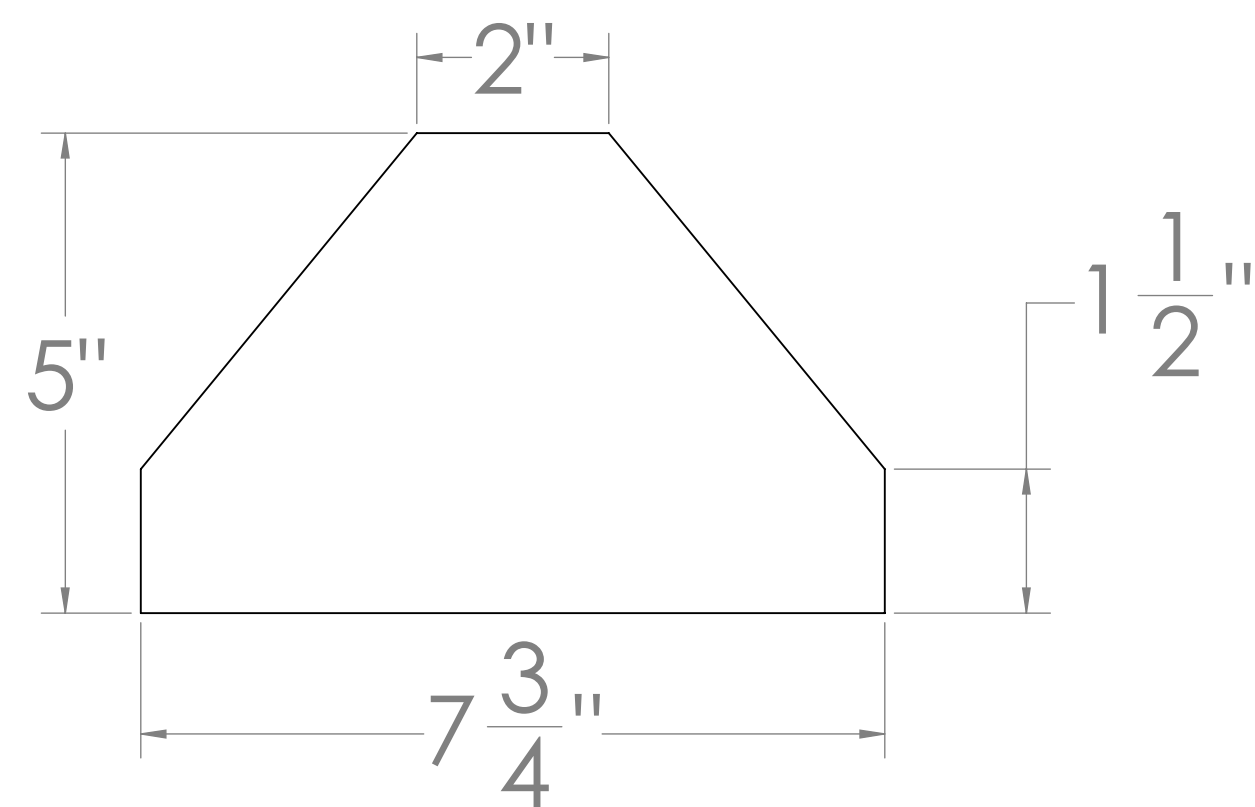


DETAIL E
SCALE 1 : 1



REINFORCED WITH 2 3/8" REROD

Min 4000 psi concrete
Reinforced with rebar

Mono-Crete Step Co, LLC
12 Trowbridge Drive
Bethel, CT 06801
800-423-7837
203-748-8419
www.monocrete.com

Mono-Crete Step Co, LLC

Family owned and operated since 1974

Parking Bumper

PARKING BUMPER, 6' WIDE, 5" HIGH, 7-3/4" DEEP, 150 LBS

Drawn: 9/26/2016

Sheet 1 of 1