

PermEntry®

The Complete Basement Entrance

A Unit for Every Home

Pre-Installation Requirements:

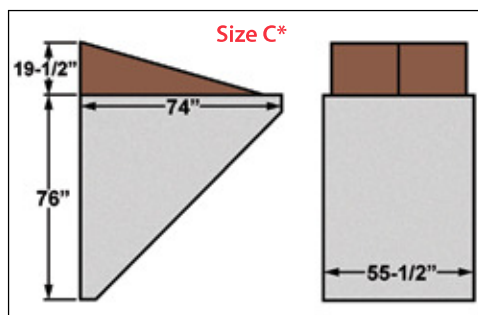
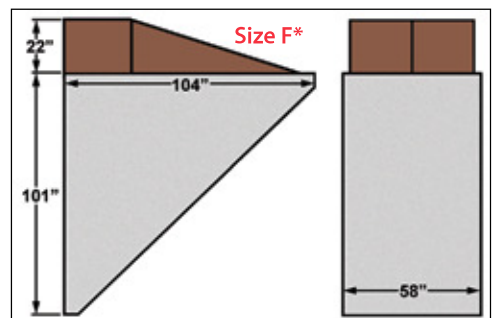
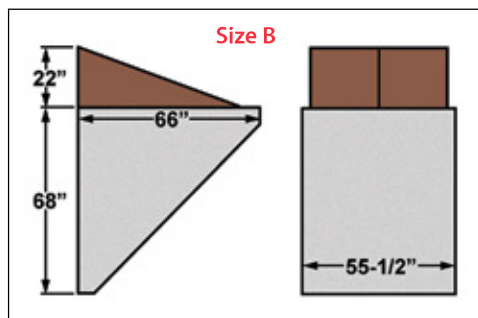
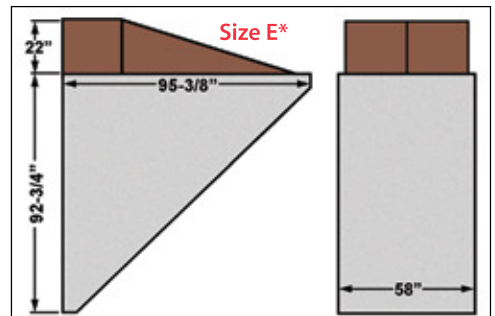
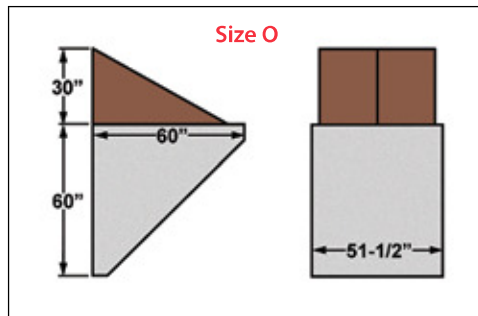
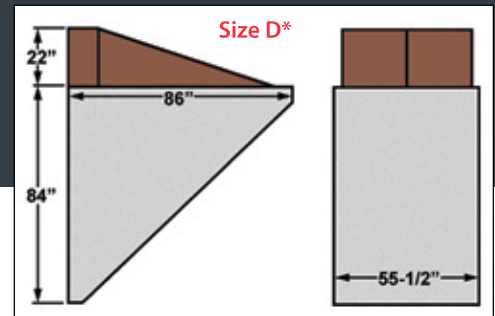
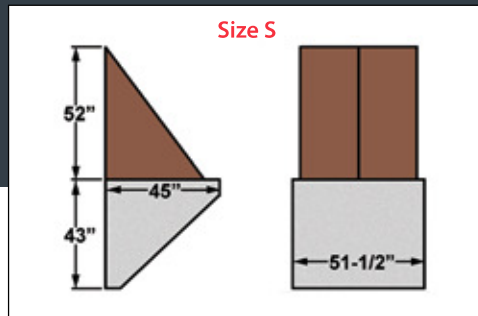
1. Provide truck access to within 10' of the center of the PermEntry unit.
2. Foundation footing and opening should be LEVEL, PLUMB and SQUARE.
3. Width of opening in foundation wall should be 40" maximum for all sizes.
4. Ensure proper soil drainage at base of unit. A footing drain to daylight is recommended.
5. When foundation is backfilled, leave minimum work area for PermEntry installation as shown.
6. Basement floor or equivalent slab should be poured in the concrete wall.
7. Hold foundation tar coating back minimum 12" each side of opening.

How to Measure:

1. Determine the measurement from the finished grade to the foundation footing.
2. Refer to table below to select proper size. Top of casting should be a minimum of 2" above finished grade.
3. Double check your pre-installation requirements and check site to determine that there is proper truck access to and from the PermEntry installation site.

Post-Installation Requirements:

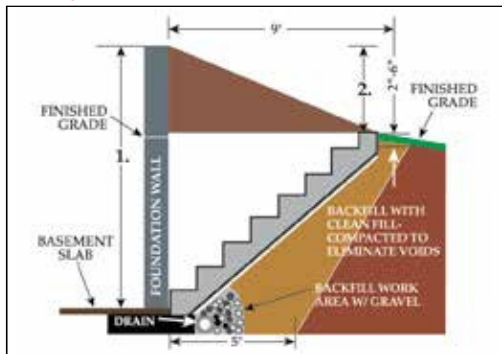
1. Properly backfill and compact excavation with clean, suitable fill and/or stone. NEVER USE CONSTRUCTION DEBRIS and NEVER backfill higher than 2" below top of concrete casting.
2. Final grade should be adjusted to leave 2"–6" of casting above finished grade, immediately slope grade away from the PermEntry unit in all directions.
3. Avoid locating down spouts or sump discharge near the PermEntry unit.
4. An insulated door at bottom of stairs is recommended to reduce heat loss.
5. For steel doors, if supplied with a red oxide primer finish, a finish coat must be applied within forty-five (45) days of installation. See paint label on interior of door leaf for complete instructions. If your door has a powder coat finish, no additional finishing is required.



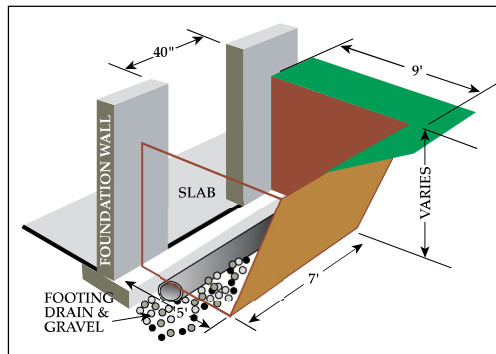
PermEntry Size	Footing to Grade
S	35" – 41"
O	52" – 58"
B	59" – 66"
C*	67" – 74"
D*	75" – 82"
E*	83" – 91"
F*	92" – 99"

* Optional Ultra Series Door available for sizes C, D, E and F only.

Job Requirements



How to Order



An optional basement door keyed lock kit is available for added home security.



(800) 854-9724 • www.bilco.com

Licensed Dealer